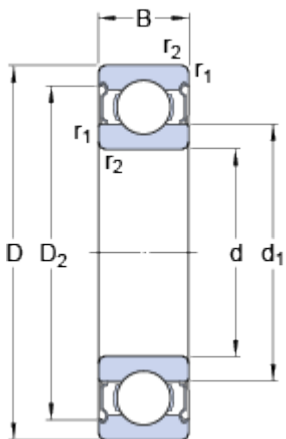


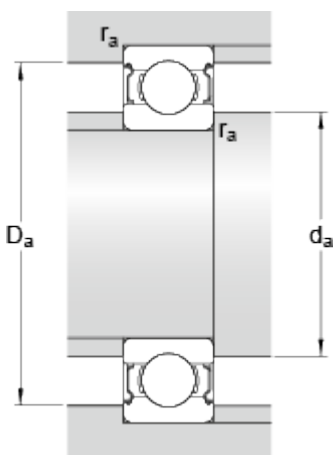
## 607/8-2Z

### Dimensions



d	8	mm
D	19	mm
B	6	mm
$d_1$	≈ 11.1	mm
$D_2$	≈ 16.5	mm
$r_{1,2}$	min. 0.3	mm

### Abutment dimensions



$d_a$	min. 10	mm
$d_a$	max. 11	mm
$D_a$	max. 17	mm
$r_a$	max. 0.3	mm

### Calculation data

Basic dynamic load rating	C	2.34	kN
Basic static load rating	$C_0$	0.95	kN
Fatigue load limit	$P_u$	0.04	kN
Reference speed		85000	r/min
Limiting speed		43000	r/min
Calculation factor	$k_r$	0.025	
Calculation factor	$f_0$	13	

### Mass

Mass bearing	0.0072	kg
--------------	--------	----