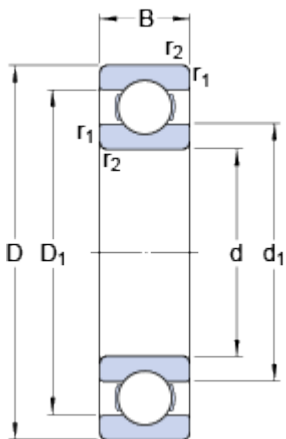


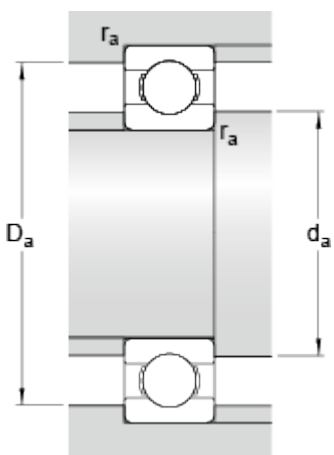
# 618/4

## Dimensions



d	4	mm
D	9	mm
B	2.5	mm
d <sub>1</sub>	≈ 5.2	mm
D <sub>1</sub>	≈ 7.5	mm
r <sub>1,2</sub>	min. 0.1	mm

## Abutment dimensions



d <sub>a</sub>	min. 4.6	mm
D <sub>a</sub>	max. 8.4	mm
r <sub>a</sub>	max. 0.1	mm

## Calculation data

Basic dynamic load rating	C	0.423	kN
Basic static load rating	C <sub>0</sub>	0.116	kN
Fatigue load limit	P <sub>u</sub>	0.005	kN
Reference speed		140000	r/min
Limiting speed		85000	r/min
Calculation factor	k <sub>r</sub>	0.015	
Calculation factor	f <sub>0</sub>	6.5	

## Mass

Mass bearing	0.0007	kg
--------------	--------	----