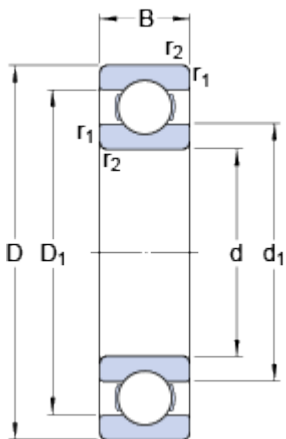


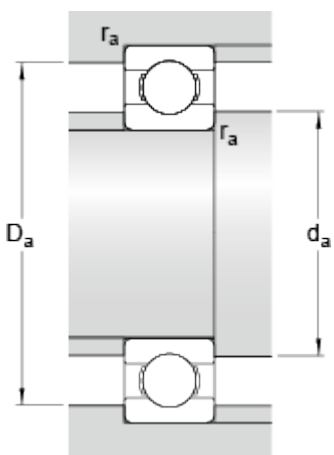
618/5

Dimensions



d	5	mm
D	11	mm
B	3	mm
d ₁	≈ 6.81	mm
D ₁	≈ 9.19	mm
r _{1,2}	min. 0.15	mm

Abutment dimensions



d _a	min. 5.8	mm
D _a	max. 10.2	mm
r _a	max. 0.1	mm

Calculation data

Basic dynamic load rating	C	0.468	kN
Basic static load rating	C ₀	0.143	kN
Fatigue load limit	P _u	0.006	kN
Reference speed		120000	r/min
Limiting speed		75000	r/min
Calculation factor	k _r	0.015	
Calculation factor	f ₀	7.1	

Mass

Mass bearing	0.0012	kg
--------------	--------	----