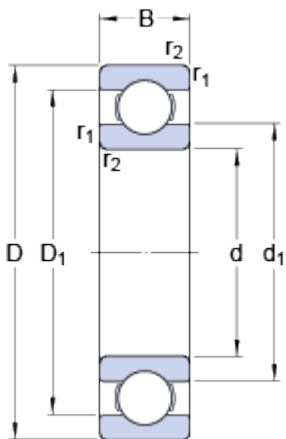


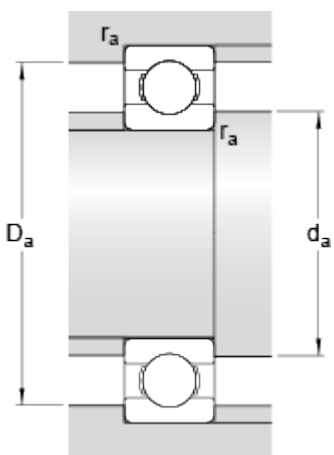
618/6

Dimensions



d	6	mm
D	13	mm
B	3.5	mm
d ₁	≈ 8	mm
D ₁	≈ 11	mm
r _{1,2}	min. 0.15	mm

Abutment dimensions



d _a	min. 6.8	mm
D _a	max. 12.2	mm
r _a	max. 0.1	mm

Calculation data

Basic dynamic load rating	C	0.715	kN
Basic static load rating	C ₀	0.224	kN
Fatigue load limit	P _u	0.01	kN
Reference speed		110000	r/min
Limiting speed		67000	r/min
Calculation factor	k _r	0.015	
Calculation factor	f ₀	7	

Mass

Mass bearing	0.002	kg
--------------	-------	----