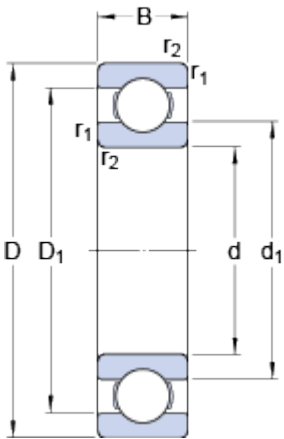


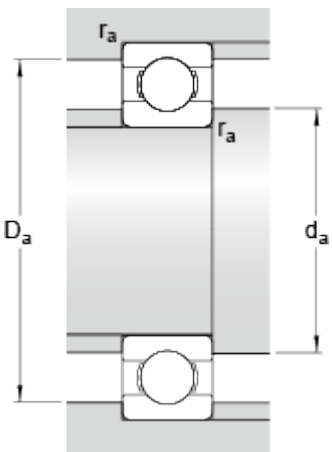
# 618/7

## Dimensions



d	7	mm
D	14	mm
B	3.5	mm
d <sub>1</sub>	≈ 9	mm
D <sub>1</sub>	≈ 12	mm
r <sub>1,2</sub>	min. 0.15	mm

## Abutment dimensions



d <sub>a</sub>	min. 7.8	mm
D <sub>a</sub>	max. 13.2	mm
r <sub>a</sub>	max. 0.1	mm

## Calculation data

Basic dynamic load rating	C	0.78	kN
Basic static load rating	C <sub>0</sub>	0.26	kN
Fatigue load limit	P <sub>u</sub>	0.011	kN
Reference speed		100000	r/min
Limiting speed		63000	r/min
Calculation factor	k <sub>r</sub>	0.015	
Calculation factor	f <sub>0</sub>	7.2	

## Mass

Mass bearing	0.0022	kg
--------------	--------	----