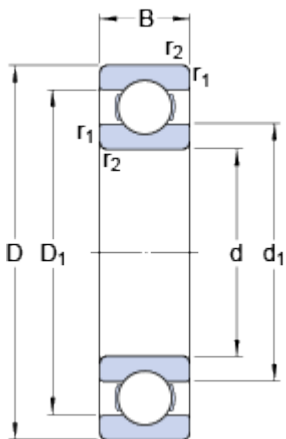


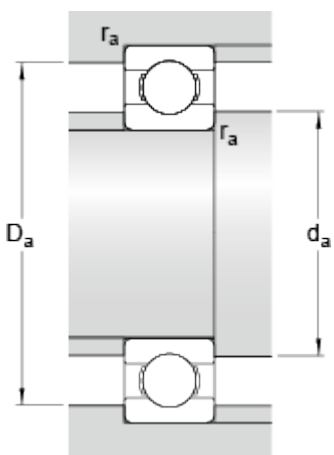
# 618/8

## Dimensions



d	8	mm
D	16	mm
B	4	mm
d <sub>1</sub>	≈ 10.5	mm
D <sub>1</sub>	≈ 13.5	mm
r <sub>1,2</sub>	min. 0.2	mm

## Abutment dimensions



d <sub>a</sub>	min. 9.4	mm
D <sub>a</sub>	max. 14.6	mm
r <sub>a</sub>	max. 0.2	mm

## Calculation data

Basic dynamic load rating	C	0.819	kN
Basic static load rating	C <sub>0</sub>	0.3	kN
Fatigue load limit	P <sub>u</sub>	0.012	kN
Reference speed		90000	r/min
Limiting speed		56000	r/min
Calculation factor	k <sub>r</sub>	0.015	
Calculation factor	f <sub>0</sub>	7.5	

## Mass

Mass bearing	0.003	kg
--------------	-------	----