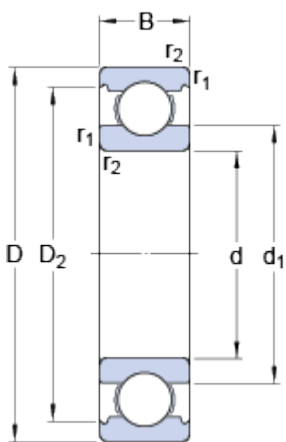


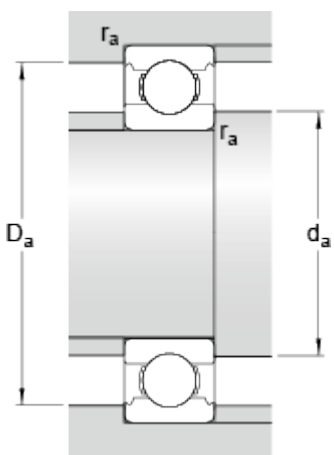
619/9

Dimensions



d	9	mm
D	20	mm
B	6	mm
d ₁	≈ 11.61	mm
D ₂	≈ 17.44	mm
r _{1,2}	min. 0.3	mm

Abutment dimensions



d _a	min. 11	mm
D _a	max. 18	mm
r _a	max. 0.3	mm

Calculation data

Basic dynamic load rating	C	2.34	kN
Basic static load rating	C ₀	0.98	kN
Fatigue load limit	P _u	0.043	kN
Reference speed		80000	r/min
Limiting speed		50000	r/min
Calculation factor	k _r	0.02	
Calculation factor	f ₀	12.3	

Mass

Mass bearing	0.0076	kg
--------------	--------	----