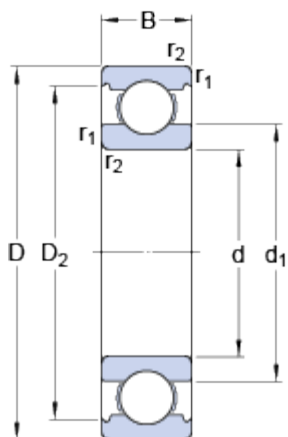


623

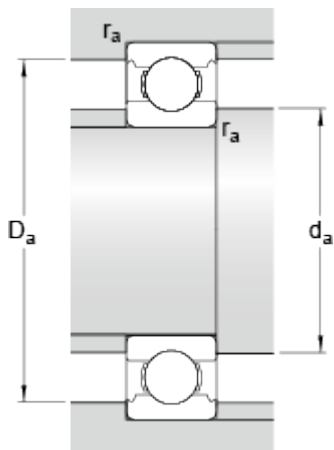
Popular item

Dimensions



d	3	mm
D	10	mm
B	4	mm
d ₁	≈ 5.2	mm
D ₂	≈ 8.2	mm
r _{1,2}	min. 0.15	mm

Abutment dimensions



d _a	min. 4.2	mm
D _a	max. 8.8	mm
r _a	max. 0.1	mm

Calculation data

Basic dynamic load rating	C	0.54	kN
Basic static load rating	C ₀	0.18	kN
Fatigue load limit	P _u	0.007	kN
Reference speed		130000	r/min
Limiting speed		80000	r/min
Calculation factor	k _r	0.025	
Calculation factor	f ₀	7.5	

Mass

Mass bearing	0.0015	kg
--------------	--------	----