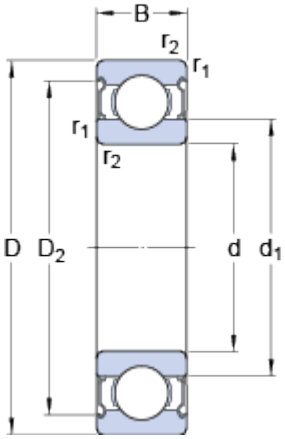


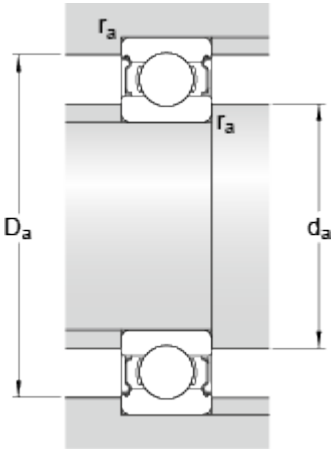
# 628/5-2Z

## Dimensions



d	5	mm
D	11	mm
B	4	mm
d <sub>1</sub>	≈ 6.81	mm
D <sub>2</sub>	≈ 9.9	mm
r <sub>1,2</sub>	min. 0.15	mm

## Abutment dimensions



d <sub>a</sub>	min. 5.8	mm
d <sub>a</sub>	max. 6.7	mm
D <sub>a</sub>	max. 10.2	mm
r <sub>a</sub>	max. 0.1	mm

## Calculation data

Basic dynamic load rating	C	0.468	kN
Basic static load rating	C <sub>0</sub>	0.143	kN
Fatigue load limit	P <sub>u</sub>	0.006	kN
Reference speed		120000	r/min
Limiting speed		60000	r/min
Calculation factor	k <sub>r</sub>	0.015	
Calculation factor	f <sub>0</sub>	7.1	

## Mass

Mass bearing	0.0031	kg
--------------	--------	----