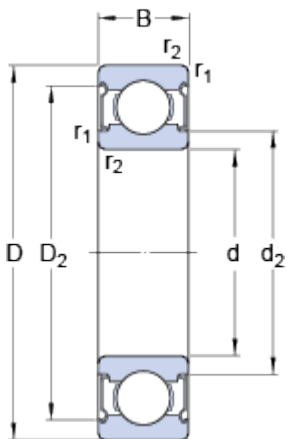


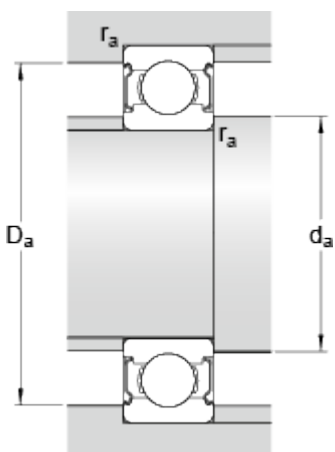
628/6-2Z

Dimensions



d	6	mm
D	13	mm
B	5	mm
d ₂	≈ 7.4	mm
D ₂	≈ 11.7	mm
r _{1,2}	min. 0.15	mm

Abutment dimensions



d _a	min. 6.8	mm
d _a	max. 7.2	mm
D _a	max. 12.2	mm
r _a	max. 0.1	mm

Calculation data

Basic dynamic load rating	C	0.88	kN
Basic static load rating	C ₀	0.35	kN
Fatigue load limit	P _u	0.015	kN
Reference speed		110000	r/min
Limiting speed		53000	r/min
Calculation factor	k _r	0.015	
Calculation factor	f ₀	7	

Mass

Mass bearing	0.0025	kg
--------------	--------	----