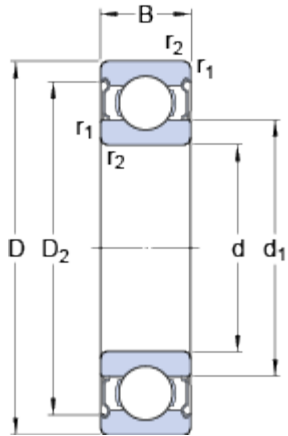


628/8-2Z

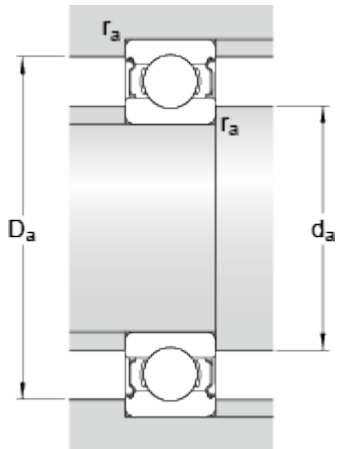
Popular item

Dimensions



d	8	mm
D	16	mm
B	5	mm
d ₁	≈ 10.1	mm
D ₂	≈ 14.2	mm
r _{1,2}	min. 0.2	mm

Abutment dimensions



d _a	min. 9.4	mm
d _a	max. 10	mm
D _a	max. 14.6	mm
r _a	max. 0.2	mm

Calculation data

Basic dynamic load rating	C	1.21	kN
Basic static load rating	C ₀	0.455	kN
Fatigue load limit	P _u	0.019	kN
Reference speed		90000	r/min
Limiting speed		45000	r/min
Calculation factor	k _r	0.015	
Calculation factor	f ₀	8.9	

Mass

Mass bearing	0.0036	kg
--------------	--------	----