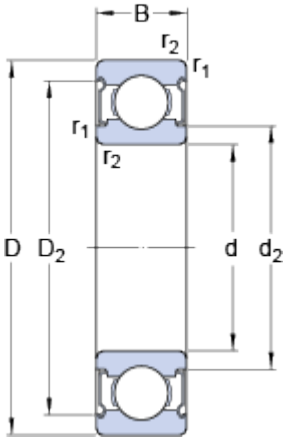


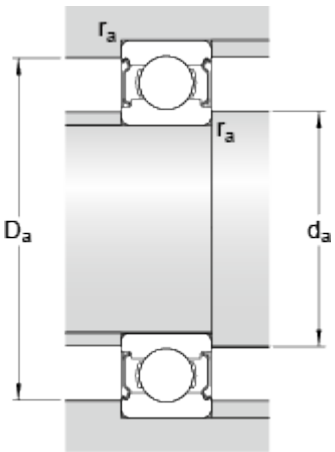
628/9-2Z

Dimensions



d	9	mm
D	17	mm
B	5	mm
d ₂	≈ 10.7	mm
D ₂	≈ 15.2	mm
r _{1,2}	min. 0.2	mm

Abutment dimensions



d _a	min. 10.4	mm
d _a	max. 10.5	mm
D _a	max. 15.6	mm
r _a	max. 0.2	mm

Calculation data

Basic dynamic load rating	C	0.871	kN
Basic static load rating	C ₀	0.34	kN
Fatigue load limit	P _u	0.014	kN
Reference speed		85000	r/min
Limiting speed		43000	r/min
Calculation factor	k _r	0.015	
Calculation factor	f ₀	7.7	

Mass

Mass bearing	0.0043	kg
--------------	--------	----