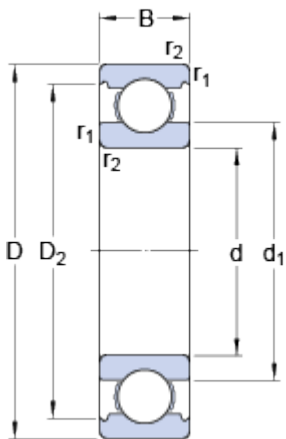


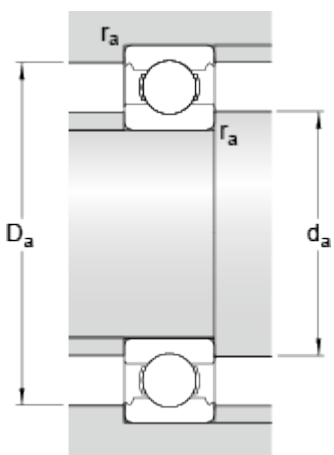
634

Dimensions



d	4	mm
D	16	mm
B	5	mm
d ₁	≈ 8.4	mm
D ₂	≈ 13.3	mm
r _{1,2}	min. 0.3	mm

Abutment dimensions



d _a	min. 6.4	mm
D _a	max. 13.6	mm
r _a	max. 0.3	mm

Calculation data

Basic dynamic load rating	C	1.11	kN
Basic static load rating	C ₀	0.38	kN
Fatigue load limit	P _u	0.016	kN
Reference speed		95000	r/min
Limiting speed		60000	r/min
Calculation factor	k _r	0.03	
Calculation factor	f ₀	8.4	

Mass

Mass bearing	0.0054	kg
--------------	--------	----