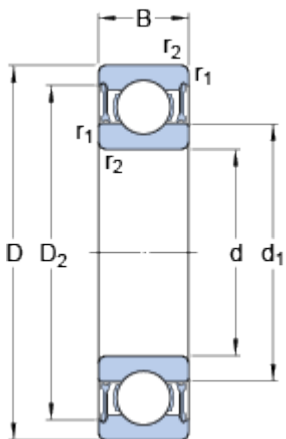


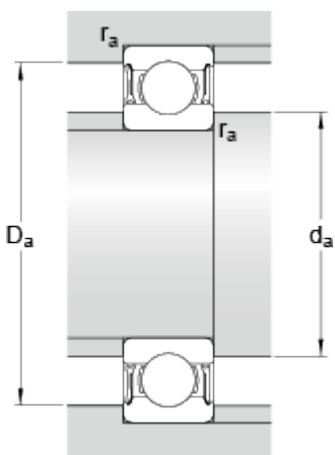
# 638-2RZ

## Dimensions



$d$	8	mm
$D$	28	mm
$B$	9	mm
$d_1$	≈ 14.8	mm
$D_2$	≈ 22.6	mm
$r_{1,2}$	min. 0.3	mm

## Abutment dimensions



$d_a$	min. 10.4	mm
$d_a$	max. 14.7	mm
$D_a$	max. 25.6	mm
$r_a$	max. 0.3	mm

## Calculation data

Basic dynamic load rating	$C$	1.33	kN
Basic static load rating	$C_0$	0.57	kN
Fatigue load limit	$P_u$	0.024	kN
Reference speed		60000	r/min
Limiting speed		30000	r/min
Calculation factor	$k_r$	0.03	
Calculation factor	$f_0$	12	

## Mass

Mass bearing	0.03	kg
--------------	------	----