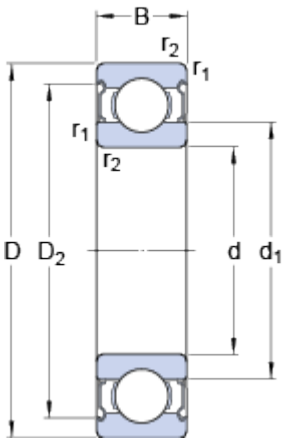


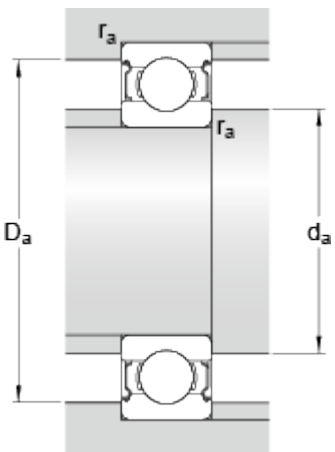
638/4-2Z

Dimensions



d	4	mm
D	9	mm
B	4	mm
d ₁	≈ 5.2	mm
D ₂	≈ 8.1	mm
r _{1,2}	min. 0.1	mm

Abutment dimensions



d _a	min. 4.6	mm
d _a	max. 5.1	mm
D _a	max. 8.4	mm
r _a	max. 0.1	mm

Calculation data

Basic dynamic load rating	C	0.423	kN
Basic static load rating	C ₀	0.116	kN
Fatigue load limit	P _u	0.005	kN
Reference speed		140000	r/min
Limiting speed		70000	r/min
Calculation factor	k _r	0.015	
Calculation factor	f ₀	6.5	

Mass

Mass bearing	0.0013	kg
--------------	--------	----