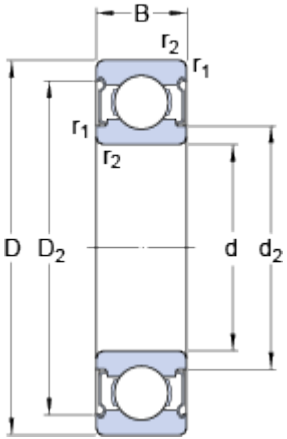


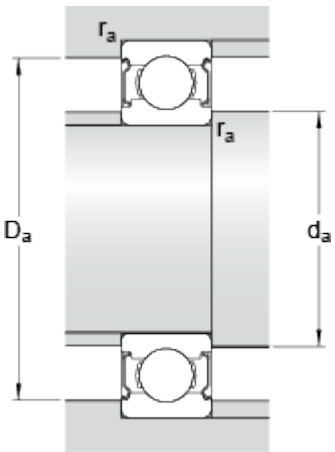
638/5-2Z

Dimensions



d	5	mm
D	11	mm
B	5	mm
d_2	≈ 6.2	mm
D_2	≈ 9.9	mm
$r_{1,2}$	min. 0.15	mm

Abutment dimensions



d_a	min. 5.8	mm
d_a	max. 6	mm
D_a	max. 10.2	mm
r_a	max. 0.1	mm

Calculation data

Basic dynamic load rating	C	0.468	kN
Basic static load rating	C_0	0.143	kN
Fatigue load limit	P_u	0.006	kN
Reference speed		120000	r/min
Limiting speed		60000	r/min
Calculation factor	k_r	0.015	
Calculation factor	f_0	7.1	

Mass

Mass bearing		0.0016	kg
--------------	--	--------	----