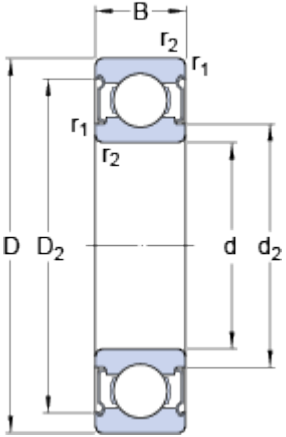


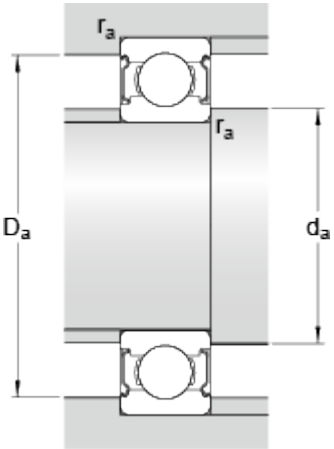
## 638/8-2Z

### Dimensions



d	8	mm
D	16	mm
B	6	mm
$d_2$	≈ 9.65	mm
$D_2$	≈ 14.2	mm
$r_{1,2}$	min. 0.2	mm

### Abutment dimensions



$d_a$	min. 9.4	mm
$d_a$	max. 9.5	mm
$D_a$	max. 14.6	mm
$r_a$	max. 0.2	mm

### Calculation data

Basic dynamic load rating	C	0.819	kN
Basic static load rating	$C_0$	0.3	kN
Fatigue load limit	$P_u$	0.012	kN
Reference speed		90000	r/min
Limiting speed		45000	r/min
Calculation factor	$k_r$	0.015	
Calculation factor	$f_0$	7.5	

### Mass

Mass bearing	0.0043	kg
--------------	--------	----