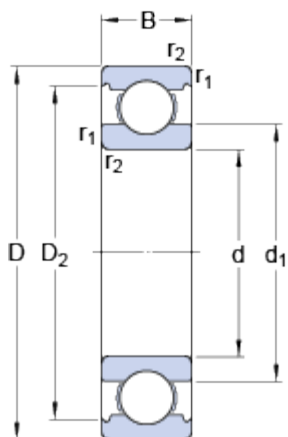




# 16002

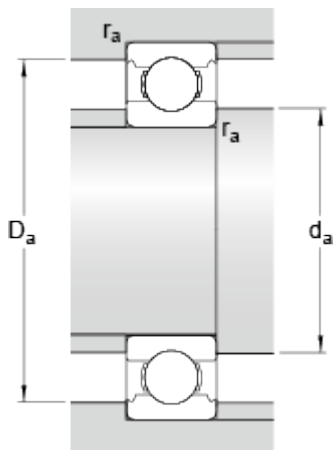
Popular item  
SKF Explorer

## Dimensions



d	15	mm
D	32	mm
B	8	mm
d <sub>1</sub>	≈ 20.5	mm
D <sub>2</sub>	≈ 28.2	mm
r <sub>1,2</sub>	min. 0.3	mm

## Abutment dimensions



d <sub>a</sub>	min. 17	mm
D <sub>a</sub>	max. 30	mm
r <sub>a</sub>	max. 0.3	mm

## Calculation data

Basic dynamic load rating	C	5.85	kN
Basic static load rating	C <sub>0</sub>	2.85	kN
Fatigue load limit	P <sub>u</sub>	0.12	kN
Reference speed		50000	r/min
Limiting speed		32000	r/min
Calculation factor	k <sub>r</sub>	0.02	
Calculation factor	f <sub>0</sub>	14	

## Mass

Mass bearing	0.026	kg
--------------	-------	----