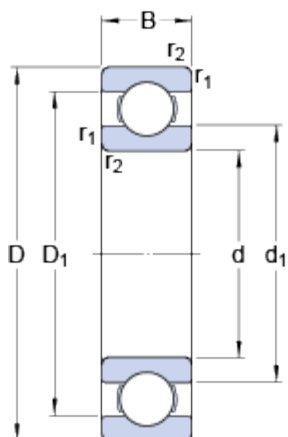




16007

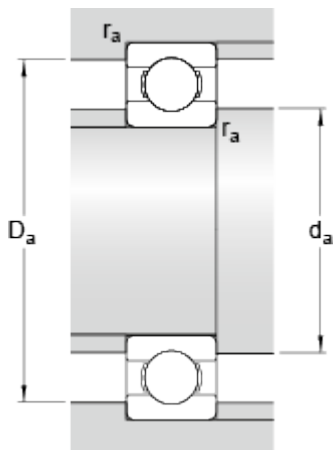
Popular item
SKF Explorer

Dimensions



d	35	mm
D	62	mm
B	9	mm
d ₁	≈ 44.05	mm
D ₁	≈ 52.95	mm
r _{1,2}	min. 0.3	mm

Abutment dimensions



d _a	min. 37	mm
D _a	max. 60	mm
r _a	max. 0.3	mm

Calculation data

Basic dynamic load rating	C	13	kN
Basic static load rating	C ₀	8.15	kN
Fatigue load limit	P _u	0.375	kN
Reference speed		24000	r/min
Limiting speed		15000	r/min
Calculation factor	k _r	0.02	
Calculation factor	f ₀	14	

Mass

Mass bearing	0.11	kg
--------------	------	----