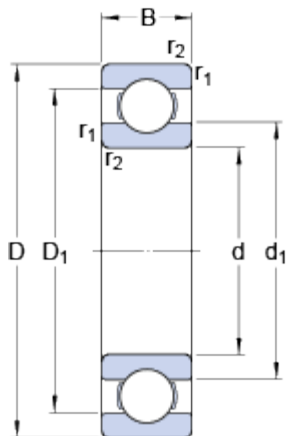




# 16008

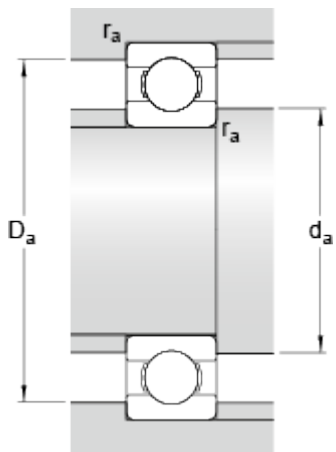
Popular item  
SKF Explorer

## Dimensions



d	40	mm
D	68	mm
B	9	mm
d <sub>1</sub>	≈ 49.4	mm
D <sub>1</sub>	≈ 58.6	mm
r <sub>1,2</sub>	min. 0.3	mm

## Abutment dimensions



d <sub>a</sub>	min. 42	mm
D <sub>a</sub>	max. 66	mm
r <sub>a</sub>	max. 0.3	mm

## Calculation data

Basic dynamic load rating	C	13.8	kN
Basic static load rating	C <sub>0</sub>	10.2	kN
Fatigue load limit	P <sub>u</sub>	0.44	kN
Reference speed		22000	r/min
Limiting speed		14000	r/min
Calculation factor	k <sub>r</sub>	0.02	
Calculation factor	f <sub>0</sub>	16	

## Mass

Mass bearing	0.13	kg
--------------	------	----