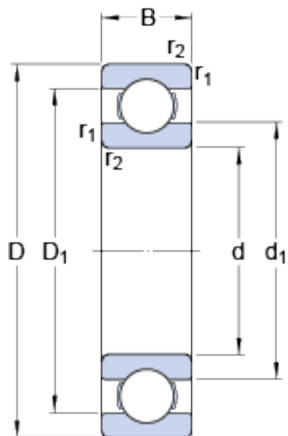


61803

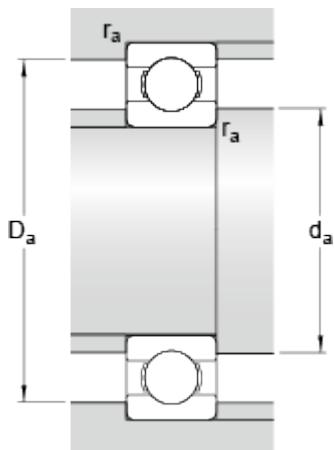
Popular item

Dimensions



d	17	mm
D	26	mm
B	5	mm
d_1	≈ 19.8	mm
D_1	≈ 23.3	mm
$r_{1,2}$	min. 0.3	mm

Abutment dimensions



d_a	min. 19	mm
D_a	max. 24	mm
r_a	max. 0.3	mm

Calculation data

Basic dynamic load rating	C	2.03	kN
Basic static load rating	C_0	1.27	kN
Fatigue load limit	P_u	0.054	kN
Reference speed		56000	r/min
Limiting speed		34000	r/min
Calculation factor	k_r	0.015	
Calculation factor	f_0	14.1	

Mass

Mass bearing	0.0075	kg
--------------	--------	----