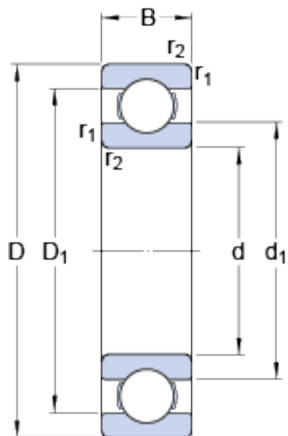


# 61806

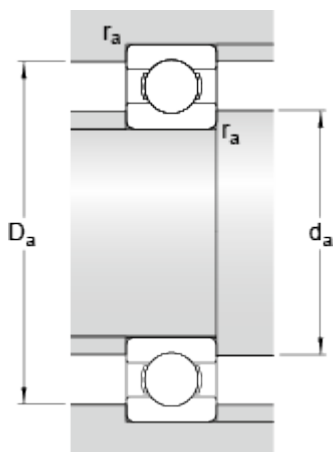
Popular item

## Dimensions



d	30	mm
D	42	mm
B	7	mm
d <sub>1</sub>	≈ 33.7	mm
D <sub>1</sub>	≈ 38.35	mm
D <sub>2</sub>	≈ 39.4	mm
r <sub>1,2</sub>	min. 0.6	mm

## Abutment dimensions



d <sub>a</sub>	min. 32	mm
D <sub>a</sub>	max. 40	mm
r <sub>a</sub>	max. 0.3	mm

## Calculation data

Basic dynamic load rating	C	4.1	kN
Basic static load rating	C <sub>0</sub>	2.9	kN
Fatigue load limit	P <sub>u</sub>	0.146	kN
Reference speed		32000	r/min
Limiting speed		20000	r/min
Calculation factor	k <sub>r</sub>	0.015	
Calculation factor	f <sub>0</sub>	13.9	

## Mass

Mass bearing	0.024	kg
--------------	-------	----