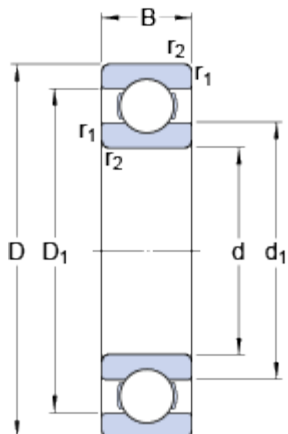


61808

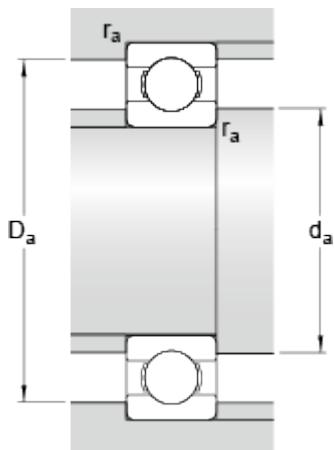
Popular item

Dimensions



d	40	mm
D	52	mm
B	7	mm
d ₁	≈ 43.21	mm
D ₁	≈ 48.1	mm
r _{1,2}	min. 0.3	mm

Abutment dimensions



d _a	min. 42	mm
D _a	max. 50	mm
r _a	max. 0.3	mm

Calculation data

Basic dynamic load rating	C	4.49	kN
Basic static load rating	C ₀	3.75	kN
Fatigue load limit	P _u	0.16	kN
Reference speed		26000	r/min
Limiting speed		16000	r/min
Calculation factor	k _r	0.015	
Calculation factor	f ₀	14.6	

Mass

Mass bearing	0.032	kg
--------------	-------	----