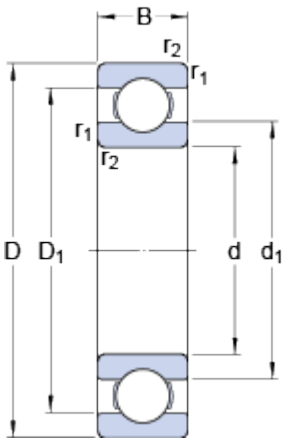


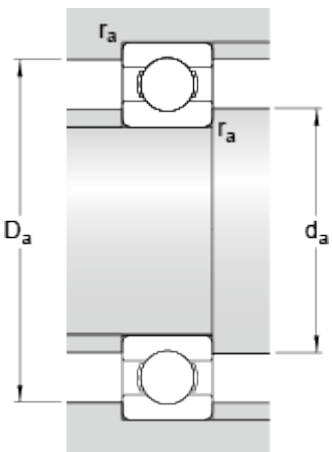
61900

Dimensions



d	10	mm
D	22	mm
B	6	mm
d_1	≈ 13.9	mm
D_1	≈ 18.2	mm
$r_{1,2}$	min. 0.3	mm

Abutment dimensions



d_a	min. 12	mm
D_a	max. 20	mm
r_a	max. 0.3	mm

Calculation data

Basic dynamic load rating	C	2.7	kN
Basic static load rating	C_0	1.27	kN
Fatigue load limit	P_u	0.054	kN
Reference speed		70000	r/min
Limiting speed		45000	r/min
Calculation factor	k_r	0.02	
Calculation factor	f_0	14	

Mass

Mass bearing	0.01	kg
--------------	------	----