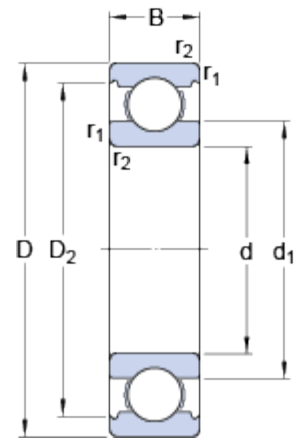




# 61903

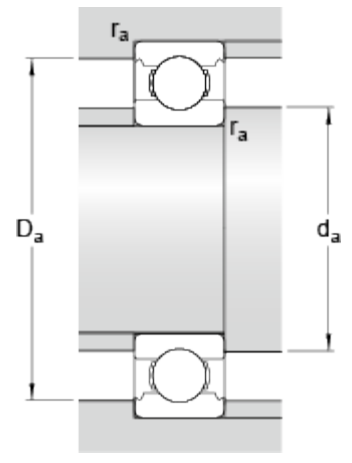
Popular item

## Dimensions



B	7	mm
---	---	----

## Abutment dimensions



d <sub>a</sub>	min.	19	mm
D <sub>a</sub>	max.	28	mm
r <sub>a</sub>	max.	0.3	mm

## Calculation data

Basic dynamic load rating	C	4.62	kN
Basic static load rating	C <sub>0</sub>	2.55	kN
Fatigue load limit	P <sub>u</sub>	0.108	kN
Reference speed		50000	r/min
Limiting speed		32000	r/min
Calculation factor	k <sub>r</sub>	0.02	
Calculation factor	f <sub>0</sub>	14.7	

## Mass

Mass bearing		0.016	kg
--------------	--	-------	----