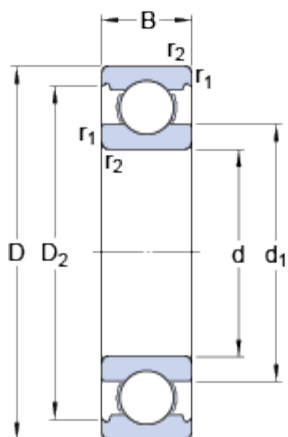


# 61904

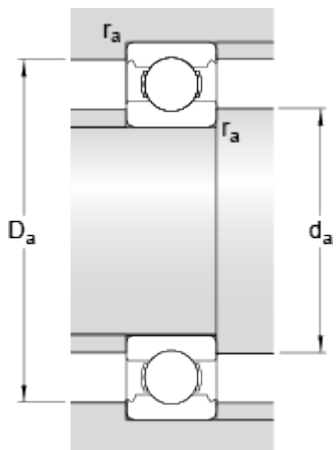
Popular item

## Dimensions



d	20	mm
D	37	mm
B	9	mm
d <sub>1</sub>	≈ 25.55	mm
D <sub>2</sub>	≈ 32.7	mm
r <sub>1,2</sub>	min. 0.3	mm

## Abutment dimensions



d <sub>a</sub>	min. 22	mm
D <sub>a</sub>	max. 35	mm
r <sub>a</sub>	max. 0.3	mm

## Calculation data

Basic dynamic load rating	C	6.37	kN
Basic static load rating	C <sub>0</sub>	3.65	kN
Fatigue load limit	P <sub>u</sub>	0.156	kN
Reference speed		43000	r/min
Limiting speed		26000	r/min
Calculation factor	k <sub>r</sub>	0.02	
Calculation factor	f <sub>0</sub>	14.7	

## Mass

Mass bearing	0.037	kg
--------------	-------	----