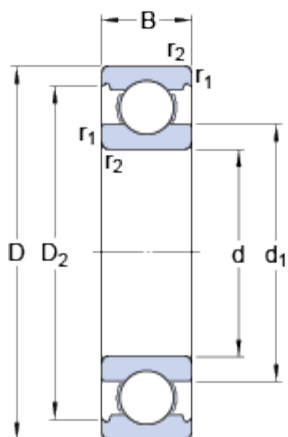


61905

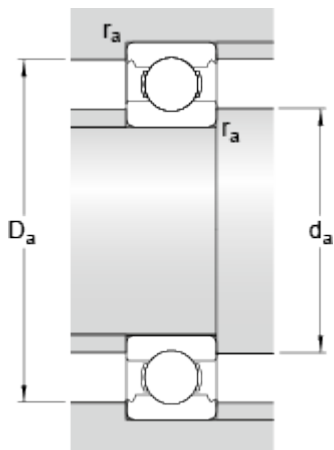
Popular item

Dimensions



| | | |
|------------------|----------|----|
| d | 25 | mm |
| D | 42 | mm |
| B | 9 | mm |
| d ₁ | ≈ 30.25 | mm |
| D ₂ | ≈ 37.7 | mm |
| r _{1,2} | min. 0.6 | mm |

Abutment dimensions



| | | |
|----------------|----------|----|
| d _a | min. 27 | mm |
| D _a | max. 40 | mm |
| r _a | max. 0.3 | mm |

Calculation data

| | | | |
|---------------------------|----------------|-------|-------|
| Basic dynamic load rating | C | 7.02 | kN |
| Basic static load rating | C ₀ | 4.3 | kN |
| Fatigue load limit | P _u | 0.193 | kN |
| Reference speed | | 36000 | r/min |
| Limiting speed | | 22000 | r/min |
| Calculation factor | k _r | 0.02 | |
| Calculation factor | f ₀ | 14.7 | |

Mass

| | | |
|--------------|-------|----|
| Mass bearing | 0.043 | kg |
|--------------|-------|----|