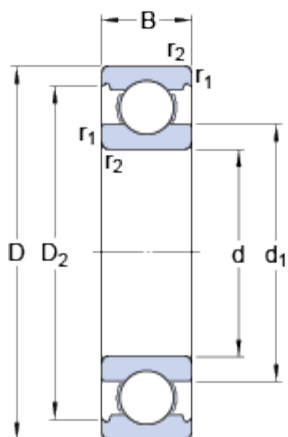


61906

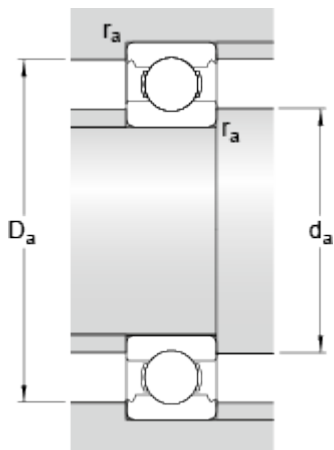
Popular item

Dimensions



d	30	mm
D	47	mm
B	9	mm
d ₁	≈ 35.25	mm
D ₂	≈ 42.7	mm
r _{1,2}	min. 0.3	mm

Abutment dimensions



d _a	min. 32	mm
D _a	max. 45	mm
r _a	max. 0.3	mm

Calculation data

Basic dynamic load rating	C	7.28	kN
Basic static load rating	C ₀	4.55	kN
Fatigue load limit	P _u	0.212	kN
Reference speed		30000	r/min
Limiting speed		19000	r/min
Calculation factor	k _r	0.02	
Calculation factor	f ₀	14.4	

Mass

Mass bearing	0.049	kg
--------------	-------	----