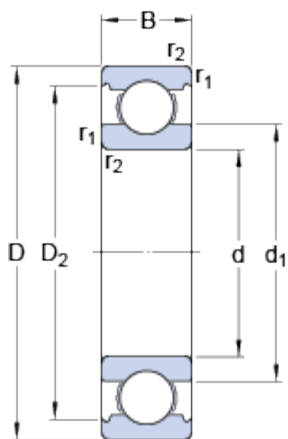


61907

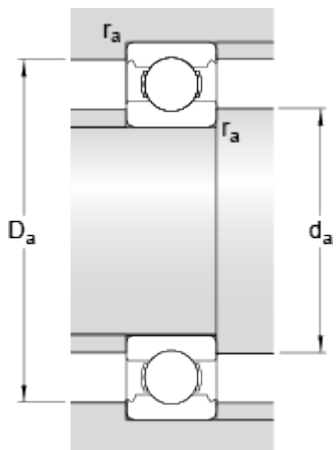
Popular item

Dimensions



d	35	mm
D	55	mm
B	10	mm
d ₁	≈ 42.2	mm
D ₂	≈ 52.15	mm
r _{1,2}	min. 0.6	mm

Abutment dimensions



d _a	min. 38.2	mm
D _a	max. 51.8	mm
r _a	max. 0.6	mm

Calculation data

Basic dynamic load rating	C	10.8	kN
Basic static load rating	C ₀	7.8	kN
Fatigue load limit	P _u	0.325	kN
Reference speed		26000	r/min
Limiting speed		16000	r/min
Calculation factor	k _r	0.02	
Calculation factor	f ₀	15.7	

Mass

Mass bearing	0.08	kg
--------------	------	----