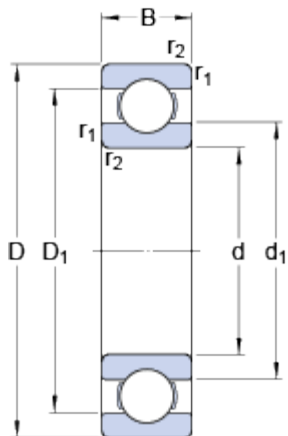


61908

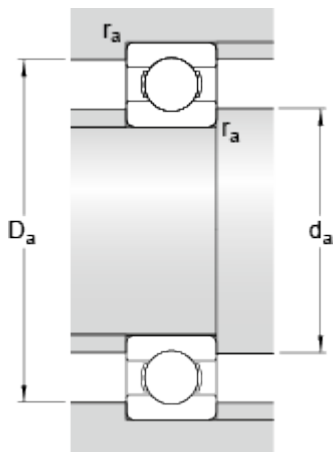
Popular item

Dimensions



d	40	mm
D	62	mm
B	12	mm
d ₁	≈ 46.9	mm
D ₁	≈ 55.55	mm
D ₂	≈ 57.55	mm
r _{1,2}	min. 0.6	mm

Abutment dimensions



d _a	min. 43.2	mm
D _a	max. 58.8	mm
r _a	max. 0.6	mm

Calculation data

Basic dynamic load rating	C	13.8	kN
Basic static load rating	C ₀	10	kN
Fatigue load limit	P _u	0.425	kN
Reference speed		24000	r/min
Limiting speed		14000	r/min
Calculation factor	k _r	0.02	
Calculation factor	f ₀	15.6	

Mass

Mass bearing	0.12	kg
--------------	------	----