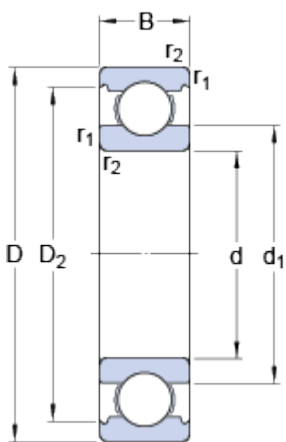


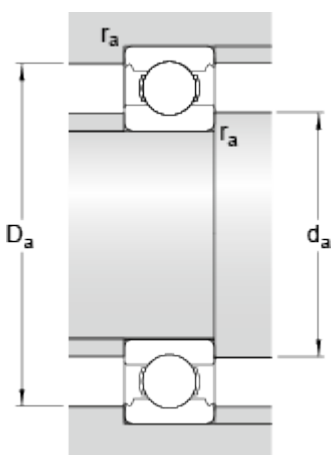
6205 ETN9

Dimensions



d	25	mm
D	52	mm
B	15	mm
d ₁	≈ 33.1	mm
D ₂	≈ 46.21	mm

Abutment dimensions



d _a	min.	30.6	mm
D _a	max.	46.4	mm
r _a	max.	1	mm

Calculation data

Basic dynamic load rating	C	17.8	kN
Basic static load rating	C ₀	9.3	kN
Fatigue load limit	P _u	0.4	kN
Reference speed		28000	r/min
Limiting speed		18000	r/min
Calculation factor	k _r	0.025	
Calculation factor	f ₀	13	

Mass

Mass bearing		0.12	kg
--------------	--	------	----