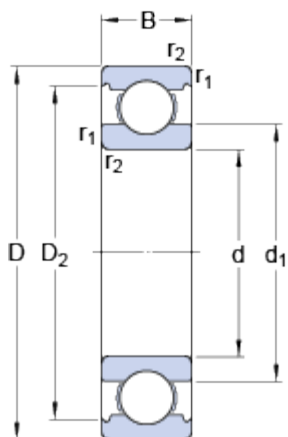




# 6205

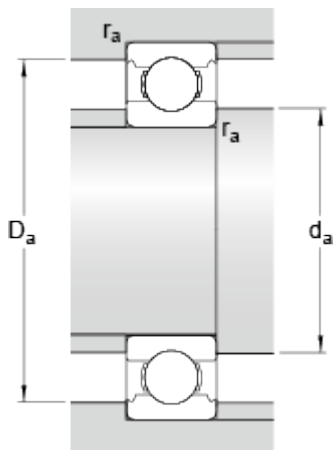
Popular item  
SKF Explorer

## Dimensions



d	25	mm
D	52	mm
B	15	mm
d <sub>1</sub>	≈ 34.35	mm
D <sub>2</sub>	≈ 46.21	mm
r <sub>1,2</sub>	min. 1	mm

## Abutment dimensions



d <sub>a</sub>	min. 30.6	mm
D <sub>a</sub>	max. 46.4	mm
r <sub>a</sub>	max. 1	mm

## Calculation data

Basic dynamic load rating	C	14.8	kN
Basic static load rating	C <sub>0</sub>	7.8	kN
Fatigue load limit	P <sub>u</sub>	0.335	kN
Reference speed		28000	r/min
Limiting speed		18000	r/min
Calculation factor	k <sub>r</sub>	0.025	
Calculation factor	f <sub>0</sub>	14	

## Mass

Mass bearing	0.13	kg
--------------	------	----