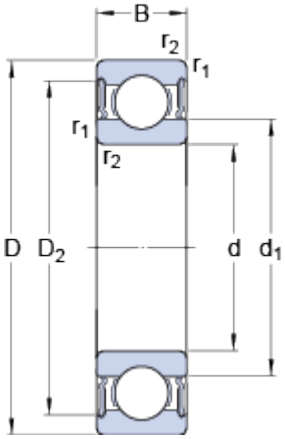


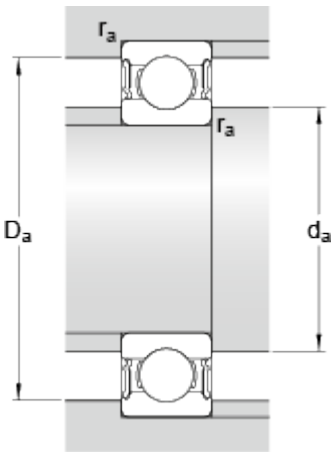
# 62200-2RS1

## Dimensions



d	10	mm
D	30	mm
B	14	mm
d <sub>1</sub>	≈ 17	mm
D <sub>2</sub>	≈ 24.72	mm
r <sub>1,2</sub>	min. 0.6	mm

## Abutment dimensions



d <sub>a</sub>	min. 14.2	mm
d <sub>a</sub>	max. 16.9	mm
D <sub>a</sub>	max. 25.8	mm
r <sub>a</sub>	max. 0.6	mm

## Calculation data

Basic dynamic load rating	C	5.07	kN
Basic static load rating	C <sub>0</sub>	2.36	kN
Fatigue load limit	P <sub>u</sub>	0.1	kN
Limiting speed		17000	r/min
Calculation factor	k <sub>r</sub>	0.025	
Calculation factor	f <sub>0</sub>	13	

## Mass

Mass bearing	0.04	kg
--------------	------	----