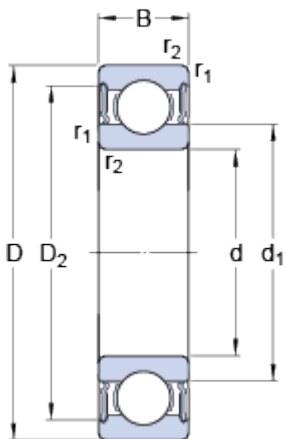


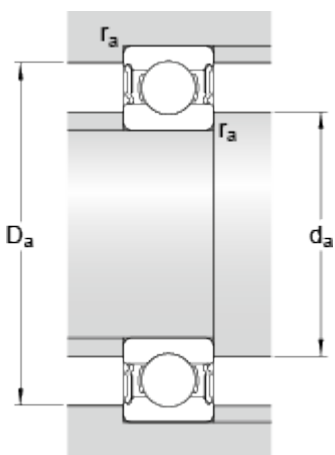
62203-2RS1

Dimensions



d	17	mm
D	40	mm
B	16	mm
d_2	≈ 21.5	mm
D_2	≈ 34.98	mm
$r_{1,2}$	min. 0.6	mm

Abutment dimensions



d_a	min. 21.2	mm
d_a	max. 24.4	mm
D_a	max. 35.8	mm
r_a	max. 0.6	mm

Calculation data

Basic dynamic load rating	C	9.56	kN
Basic static load rating	C_0	4.75	kN
Fatigue load limit	P_u	0.2	kN
Limiting speed		12000	r/min
Calculation factor	k_r	0.025	
Calculation factor	f_0	13	

Mass

Mass bearing	0.089	kg
--------------	-------	----