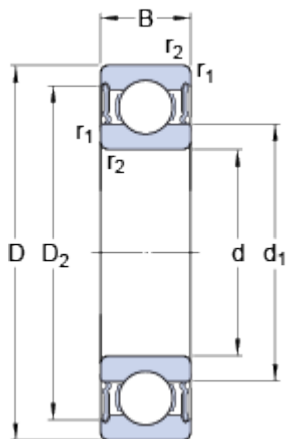


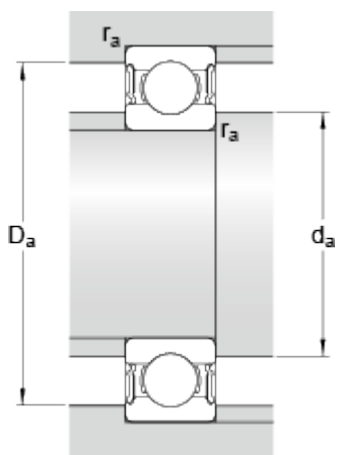
62205-2RS1

Dimensions



d	25	mm
D	52	mm
B	18	mm
d_1	≈ 34.35	mm
D_2	≈ 46.21	mm
$r_{1,2}$	min. 1	mm

Abutment dimensions



d_a	min. 30.6	mm
d_a	max. 34.3	mm
D_a	max. 46.4	mm
r_a	max. 1	mm

Calculation data

Basic dynamic load rating	C	14	kN
Basic static load rating	C_0	7.8	kN
Fatigue load limit	P_u	0.335	kN
Limiting speed		8500	r/min
Calculation factor	k_r	0.025	
Calculation factor	f_0	14	

Mass

Mass bearing	0.13	kg
--------------	------	----