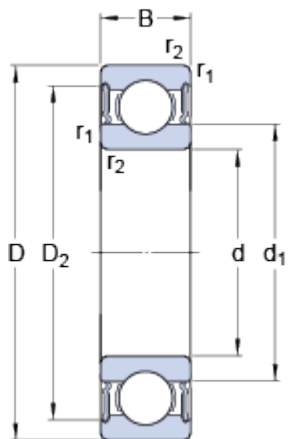


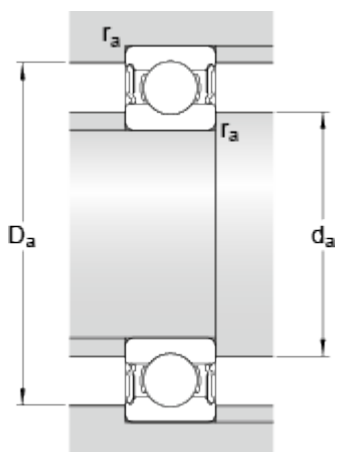
62206-2RS1

Dimensions



| | | |
|------------------|---------|----|
| d | 30 | mm |
| D | 62 | mm |
| B | 20 | mm |
| d ₁ | ≈ 40.36 | mm |
| D ₂ | ≈ 54.06 | mm |
| r _{1,2} | min. 1 | mm |

Abutment dimensions



| | | |
|----------------|-----------|----|
| d _a | min. 35.6 | mm |
| d _a | max. 40.3 | mm |
| D _a | max. 56.4 | mm |
| r _a | max. 1 | mm |

Calculation data

| | | | |
|---------------------------|----------------|-------|-------|
| Basic dynamic load rating | C | 19.5 | kN |
| Basic static load rating | C ₀ | 11.2 | kN |
| Fatigue load limit | P _u | 0.475 | kN |
| Limiting speed | | 7500 | r/min |
| Calculation factor | k _r | 0.025 | |
| Calculation factor | f ₀ | 14 | |

Mass

| | | |
|--------------|------|----|
| Mass bearing | 0.25 | kg |
|--------------|------|----|