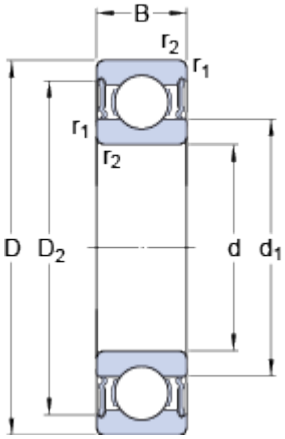


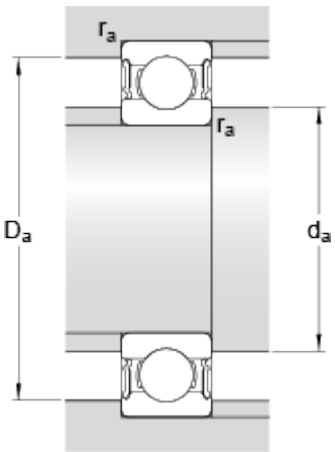
62300-2RS1

Dimensions



| | | |
|------------------|----------|----|
| d | 10 | mm |
| D | 35 | mm |
| B | 17 | mm |
| d ₁ | ≈ 17.5 | mm |
| D ₂ | ≈ 28.68 | mm |
| r _{1,2} | min. 0.6 | mm |

Abutment dimensions



| | | |
|----------------|-----------|----|
| d _a | min. 14.2 | mm |
| d _a | max. 17.4 | mm |
| D _a | max. 30.8 | mm |
| r _a | max. 0.6 | mm |

Calculation data

| | | | |
|---------------------------|----------------|-------|-------|
| Basic dynamic load rating | C | 8.06 | kN |
| Basic static load rating | C ₀ | 3.4 | kN |
| Fatigue load limit | P _u | 0.143 | kN |
| Limiting speed | | 15000 | r/min |
| Calculation factor | k _r | 0.03 | |
| Calculation factor | f ₀ | 11 | |

Mass

| | | | |
|--------------|--|------|----|
| Mass bearing | | 0.06 | kg |
|--------------|--|------|----|