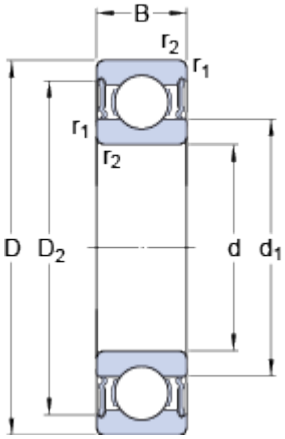


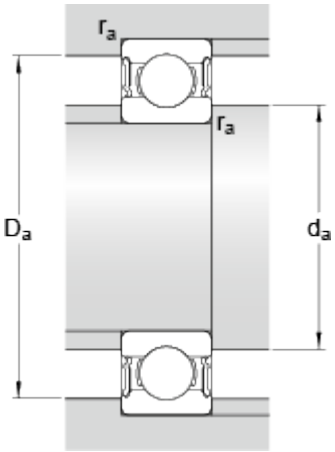
62305-2RS1

Dimensions



d	25	mm
D	62	mm
B	24	mm
d ₁	≈ 36.6	mm
D ₂	≈ 52.7	mm

Abutment dimensions



d _a	min.	32	mm
d _a	max.	36.5	mm
D _a	max.	55	mm
r _a	max.	1	mm

Calculation data

Basic dynamic load rating	C	22.5	kN
Basic static load rating	C ₀	11.6	kN
Fatigue load limit	P _u	0.49	kN
Limiting speed		7500	r/min
Calculation factor	k _r	0.03	
Calculation factor	f ₀	12	

Mass

Mass bearing		0.32	kg
--------------	--	------	----