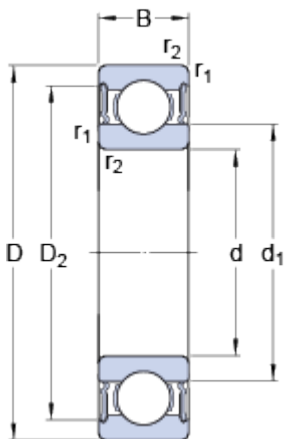


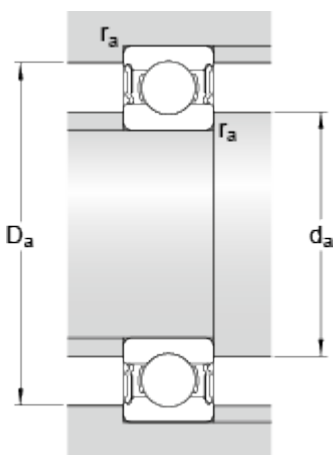
62307-2RS1

Dimensions



d	35	mm
D	80	mm
B	31	mm
d ₁	≈ 49.56	mm
D ₂	≈ 69.2	mm
r _{1,2}	min. 1.5	mm

Abutment dimensions



d _a	min. 44	mm
d _a	max. 49.5	mm
D _a	max. 71	mm
r _a	max. 1.5	mm

Calculation data

Basic dynamic load rating	C	33.2	kN
Basic static load rating	C ₀	19	kN
Fatigue load limit	P _u	0.815	kN
Limiting speed		6000	r/min
Calculation factor	k _r	0.03	
Calculation factor	f ₀	13.1	

Mass

Mass bearing	0.68	kg
--------------	------	----