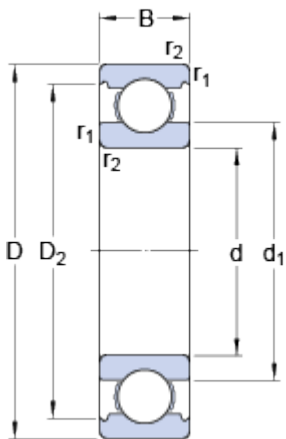


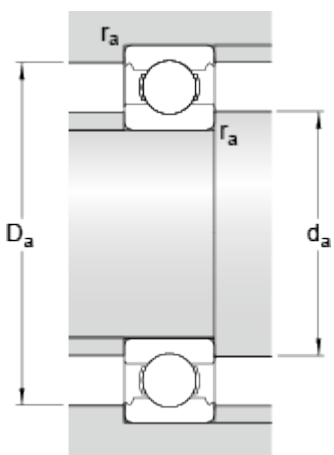
62/22

Dimensions



d	22	mm
D	50	mm
B	14	mm
d ₁	≈ 32.2	mm
D ₂	≈ 44	mm
r _{1,2}	min. 1	mm

Abutment dimensions



d _a	min. 27.6	mm
D _a	max. 44.4	mm
r _a	max. 1	mm

Calculation data

Basic dynamic load rating	C	14	kN
Basic static load rating	C ₀	7.65	kN
Fatigue load limit	P _u	0.325	kN
Reference speed		30000	r/min
Limiting speed		19000	r/min
Calculation factor	k _r	0.025	
Calculation factor	f ₀	14	

Mass

Mass bearing	0.12	kg
--------------	------	----