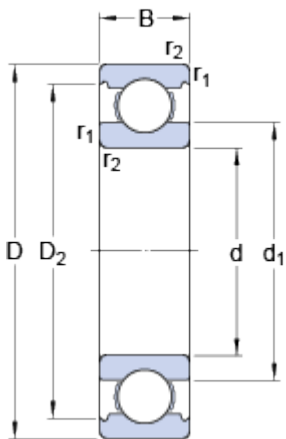


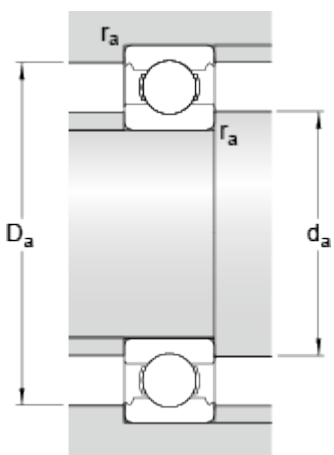
62/28

Dimensions



d	28	mm
D	58	mm
B	16	mm
d ₁	≈ 37	mm
D ₂	≈ 51.48	mm
r _{1,2}	min. 1	mm

Abutment dimensions



d _a	min. 33.6	mm
D _a	max. 52.4	mm
r _a	max. 1	mm

Calculation data

Basic dynamic load rating	C	16.8	kN
Basic static load rating	C ₀	9.5	kN
Fatigue load limit	P _u	0.405	kN
Reference speed		26000	r/min
Limiting speed		16000	r/min
Calculation factor	k _r	0.025	
Calculation factor	f ₀	13.9	

Mass

Mass bearing	0.17	kg
--------------	------	----