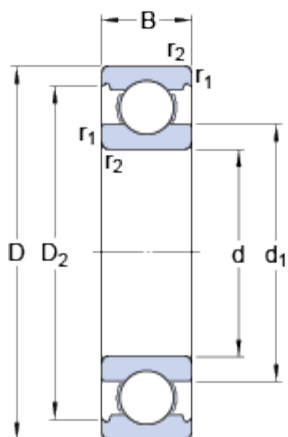


# 6300

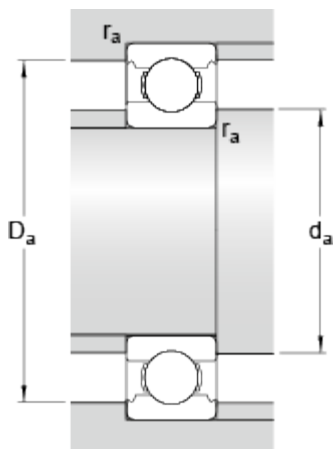
Popular item  
SKF Explorer

## Dimensions



d	10	mm
D	35	mm
B	11	mm
d <sub>1</sub>	≈ 17.5	mm
D <sub>2</sub>	≈ 28.68	mm

## Abutment dimensions



d <sub>a</sub>	min.	14.2	mm
D <sub>a</sub>	max.	30.8	mm
r <sub>a</sub>	max.	0.6	mm

## Calculation data

Basic dynamic load rating	C	8.52	kN
Basic static load rating	C <sub>0</sub>	3.4	kN
Fatigue load limit	P <sub>u</sub>	0.143	kN
Reference speed		50000	r/min
Limiting speed		32000	r/min
Calculation factor	k <sub>r</sub>	0.03	
Calculation factor	f <sub>0</sub>	11	

## Mass

Mass bearing	0.053	kg
--------------	-------	----