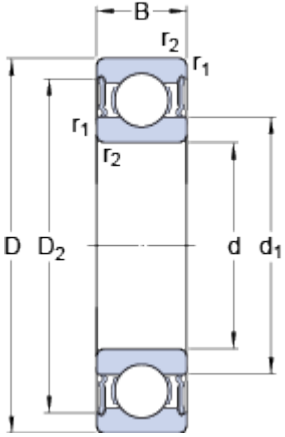


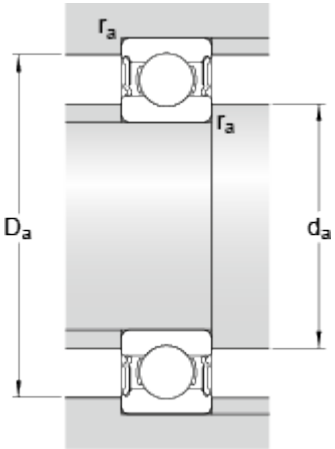
# 63005-2RS1

## Dimensions



d	25	mm
D	47	mm
B	16	mm
d <sub>1</sub>	≈ 32	mm
D <sub>2</sub>	≈ 42.2	mm
r <sub>1,2</sub>	min. 0.6	mm

## Abutment dimensions



d <sub>a</sub>	min. 29.2	mm
d <sub>a</sub>	max. 31.9	mm
D <sub>a</sub>	max. 43.8	mm
r <sub>a</sub>	max. 0.6	mm

## Calculation data

Basic dynamic load rating	C	11.2	kN
Basic static load rating	C <sub>0</sub>	6.55	kN
Fatigue load limit	P <sub>u</sub>	0.275	kN
Limiting speed		9500	r/min
Calculation factor	k <sub>r</sub>	0.025	
Calculation factor	f <sub>0</sub>	14	

## Mass

Mass bearing		0.11	kg
--------------	--	------	----