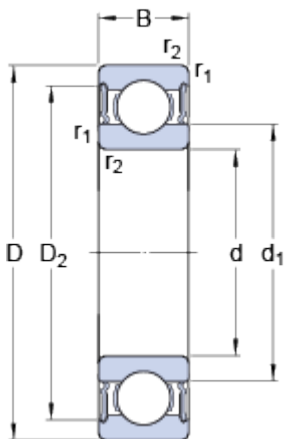


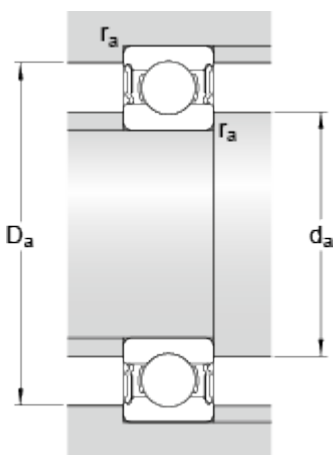
63007-2RS1

Dimensions



d	35	mm
D	62	mm
B	20	mm
d_1	≈ 43.75	mm
D_2	≈ 55.61	mm
$r_{1,2}$	min. 1	mm

Abutment dimensions



d_a	min. 39.6	mm
d_a	max. 43.7	mm
D_a	max. 57.4	mm
r_a	max. 1	mm

Calculation data

Basic dynamic load rating	C	15.9	kN
Basic static load rating	C_0	10.2	kN
Fatigue load limit	P_u	0.44	kN
Limiting speed		7000	r/min
Calculation factor	k_r	0.025	
Calculation factor	f_0	15	

Mass

Mass bearing	0.22	kg
--------------	------	----