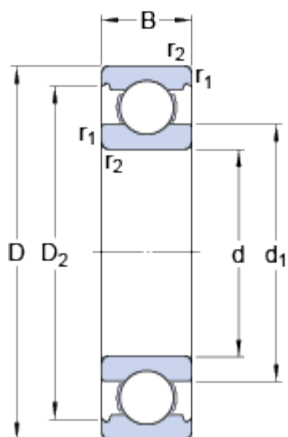


6303

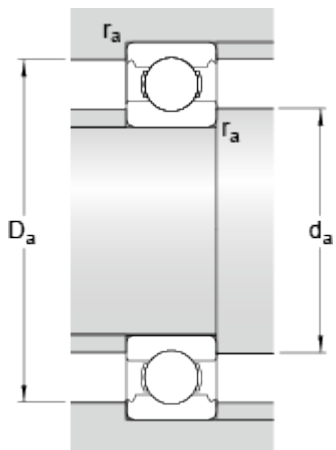
Popular item
SKF Explorer

Dimensions



d	17	mm
D	47	mm
B	14	mm
d ₁	≈ 26.52	mm
D ₂	≈ 39.58	mm
r _{1,2}	min. 1	mm

Abutment dimensions



d _a	min. 22.6	mm
D _a	max. 41.4	mm
r _a	max. 1	mm

Calculation data

Basic dynamic load rating	C	14.3	kN
Basic static load rating	C ₀	6.55	kN
Fatigue load limit	P _u	0.275	kN
Reference speed		34000	r/min
Limiting speed		22000	r/min
Calculation factor	k _r	0.03	
Calculation factor	f ₀	12	

Mass

Mass bearing		0.11	kg
--------------	--	------	----