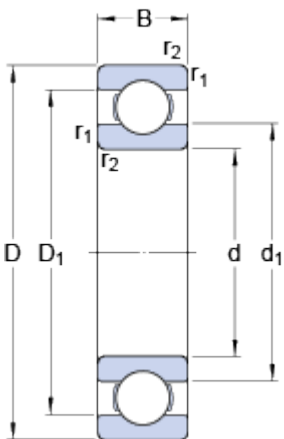


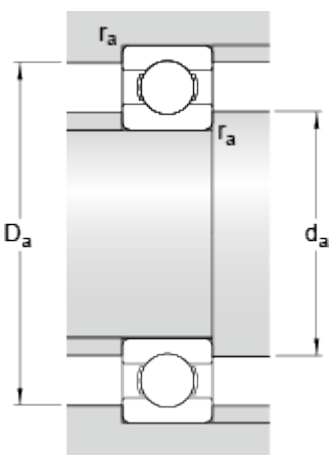
6304 ETN9

Dimensions



d	20	mm
D	52	mm
B	15	mm
d ₁	≈ 30.35	mm
D ₁	≈ 42.6	mm
r _{1,2}	min. 1.1	mm

Abutment dimensions



d _a	min. 27	mm
D _a	max. 45	mm
r _a	max. 1	mm

Calculation data

Basic dynamic load rating	C	18.2	kN
Basic static load rating	C ₀	9	kN
Fatigue load limit	P _u	0.38	kN
Reference speed		30000	r/min
Limiting speed		19000	r/min
Calculation factor	k _r	0.03	
Calculation factor	f ₀	12	

Mass

Mass bearing	0.14	kg
--------------	------	----