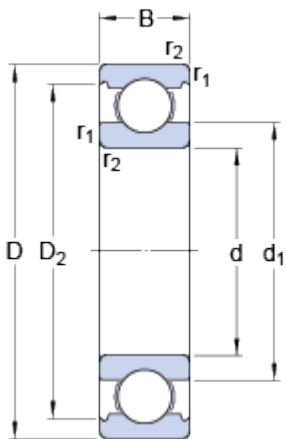


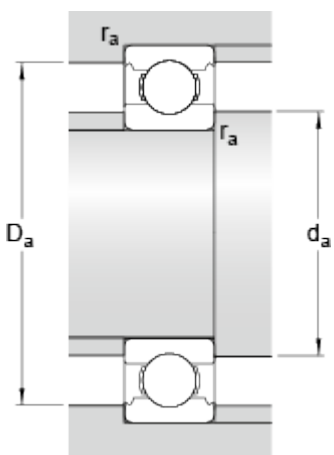
# 63/28

## Dimensions



d	28	mm
D	68	mm
B	18	mm
d <sub>1</sub>	≈ 41.7	mm
D <sub>2</sub>	≈ 57.8	mm
r <sub>1,2</sub>	min. 1.1	mm

## Abutment dimensions



d <sub>a</sub>	min. 35	mm
D <sub>a</sub>	max. 61	mm
r <sub>a</sub>	max. 1	mm

## Calculation data

Basic dynamic load rating	C	25.1	kN
Basic static load rating	C <sub>0</sub>	13.7	kN
Fatigue load limit	P <sub>u</sub>	0.585	kN
Reference speed		22000	r/min
Limiting speed		14000	r/min
Calculation factor	k <sub>r</sub>	0.03	
Calculation factor	f <sub>0</sub>	13.1	

## Mass

Mass bearing	0.3	kg
--------------	-----	----