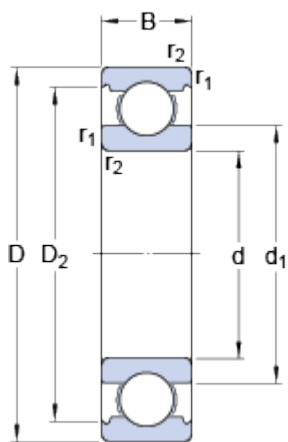


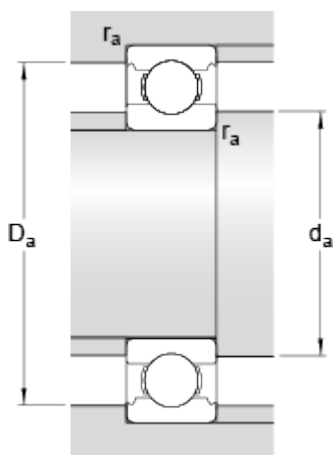
6403

Dimensions



d	17	mm
D	62	mm
B	17	mm
d ₁	≈ 32.4	mm
D ₂	≈ 48.7	mm
r _{1,2}	min. 1.1	mm

Abutment dimensions



d _a	min. 23.5	mm
D _a	max. 55.5	mm
r _a	max. 1	mm

Calculation data

Basic dynamic load rating	C	22.9	kN
Basic static load rating	C ₀	10.8	kN
Fatigue load limit	P _u	0.455	kN
Reference speed		28000	r/min
Limiting speed		18000	r/min
Calculation factor	k _r	0.035	
Calculation factor	f ₀	11	

Mass

Mass bearing	0.27	kg
--------------	------	----