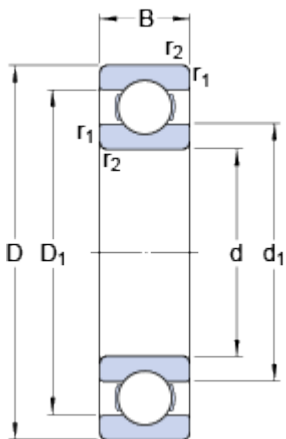


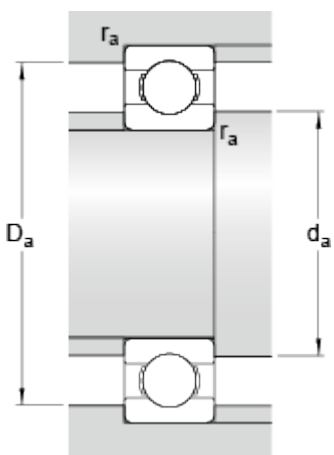
6404

Dimensions



d	20	mm
D	72	mm
B	19	mm
d_1	≈ 37.11	mm
D_1	≈ 54.75	mm
$r_{1,2}$	min. 1.1	mm

Abutment dimensions



d_a	min. 29	mm
D_a	max. 63	mm
r_a	max. 1	mm

Calculation data

Basic dynamic load rating	C	30.7	kN
Basic static load rating	C_0	15	kN
Fatigue load limit	P_u	0.64	kN
Reference speed		24000	r/min
Limiting speed		15000	r/min
Calculation factor	k_r	0.035	
Calculation factor	f_0	11	

Mass

Mass bearing	0.41	kg
--------------	------	----