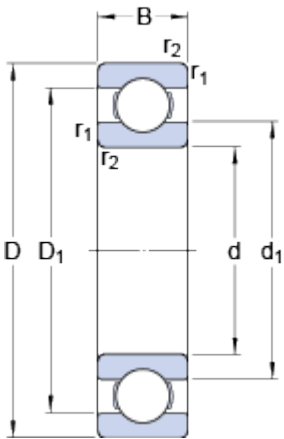


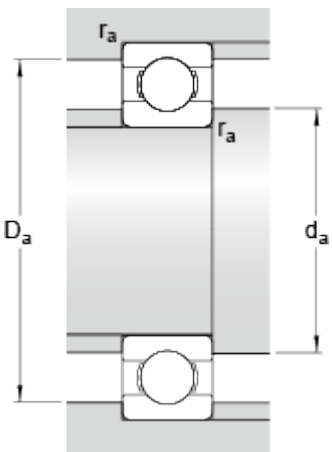
6405

Dimensions



d	25	mm
D	80	mm
B	21	mm
d_1	≈ 45.42	mm
D_1	≈ 62.9	mm
$r_{1,2}$	min. 1.5	mm

Abutment dimensions



d_a	min. 34	mm
D_a	max. 71	mm
r_a	max. 1.5	mm

Calculation data

Basic dynamic load rating	C	35.8	kN
Basic static load rating	C_0	19.3	kN
Fatigue load limit	P_u	0.815	kN
Reference speed		20000	r/min
Limiting speed		13000	r/min
Calculation factor	k_r	0.035	
Calculation factor	f_0	12.1	

Mass

Mass bearing	0.54	kg
--------------	------	----